



**AUSTRALIA'S LARGEST
WEIGHBRIDGE MANUFACTURER!**

ultrahawke

UltraHawke Pty Ltd
ACN 004 659 358



FLINTEC 66-20 WEIGH MODULE WITH FLINTEC Q50 LOADCELL



DESCRIPTION

The Flintec 66-20 Weigh Module has been designed for use in food and pharmaceutical applications. The electro-polished, all stainless steel construction and hygienic design is ideally suited for CIP (Clean-in-Place) and SIP (Sterilization-in-Place) environments.

The Weigh Module provides system integrators with a uniform, compact and economical solution across a wide range of loadcell capacities – from 500kg through to 30,000kg.

- Designed for Q50 Compression Disk Loadcells
- Material: Alloy Steel (1.0443), Plated; Alternatively Electro-Polished Stainless Steel

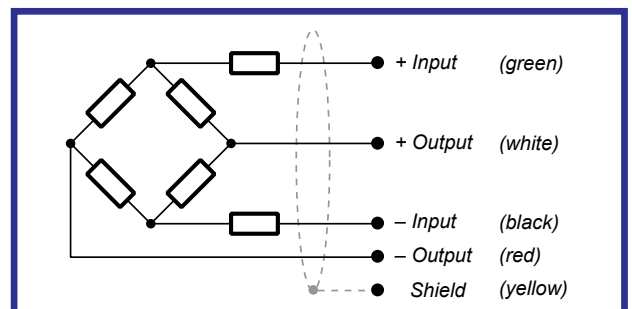
HIGHLIGHTS

- Capacities: 0.5t, 1t, 2t, 5t, 10t, 20t and 30t
- Low-Profile Design
- Easy to Install
- Especially Designed for Hopper and Tank Weighing
- With Integrated Lift-Off Protection
- Loadcell Replacement Requires Minimum Lifting Height



WIRING

- The Loadcell is Provided with a Shielded, 4-Conductor Cable (AWG 24)
- Cable Jacket: Polyurethane
- Cable Length: 5m for 500kg to 10t, 10m for 20t to 30t
- Cable Diameter: 5mm
- The Shield is Floating



SPECIFICATIONS

Maximum Capacity	(E _{max})	0.5t / 1t / 2t / 5t / 10t / 20t / 30t
Rated Output	(C _n)	2mV/V ± 0.1mV/V
Zero Balance		±5% of C _n
Calibration in mV/V/Ω		±0.05% of C _n
Creep Error (30 Minutes)	(CR)	±0.06% of C _n
Minimum Dead Load Output Return	(DR)	±0.05% of C _n
Combined Error		±0.25% of C _n
Temperature Effect on Minimum Dead Load Output		±0.04% of C _n /10°C
Temperature Effect on Sensitivity		±0.02% of C _n /10°C
Excitation Voltage		5V to 15V
Input Resistance		366Ω ± 10Ω
Output Resistance		351Ω ± 2Ω
Insulation Resistance (100VDC)		≥5,000MΩ
Compensated Temperature Range		-10°C to +40°C
Operating Temperature Range		-20°C to +65°C
Safe Load Limit	(E _{lim})	200% of E _{max}
Ultimate Load		300% of E _{max}

OTHER FEATURES

- Loadcell Material: Stainless Steel 17-4 PH (1.4548)
- Environmental Protection (According to EN 60 529): IP-68 (Up to 2m Water Depth) / IP-69K

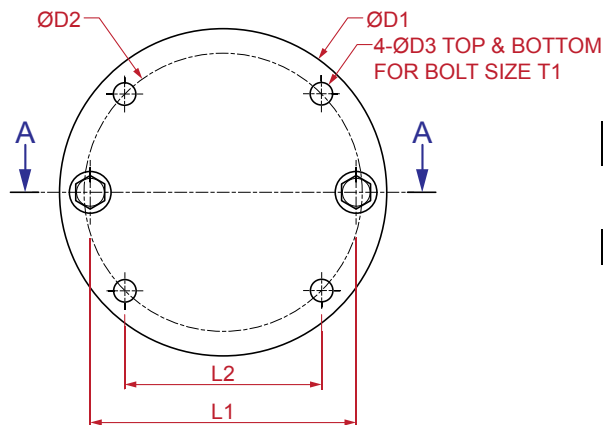
OPTIONS

- ATEX and FM Hazardous Area Approval in Preparation
- Stainless Steel Assembly

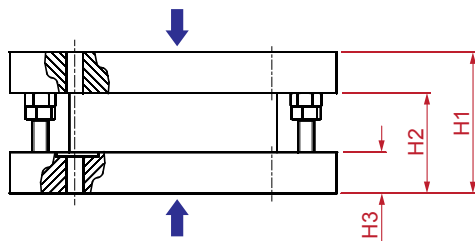
ACCESSORIES

- Welding Fixture

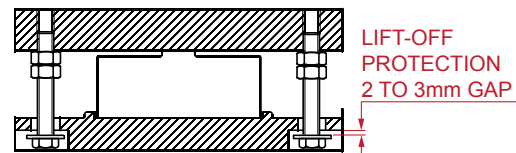
DIMENSIONS



TOP VIEW



FRONT VIEW



SECTION A-A

All dimensions in mm. Dimensions and specifications are subject to change without notice.

ATTENTION:

- MOUNTING BOLTS ARE NOT INCLUDED IN SUPPLY
- LOAD CARRIER AND FOUNDATION PLATE TO BE HORIZONTAL (WITHIN 0.8/100 FOR GENERAL APPLICATIONS)
- EXTERNAL BUMPER STOPS ARE REQUIRED (GAP APPROXIMATELY 2 TO 3mm)

E _{MAX}	D1	D2	D3	H1	H2	H3	L1	L2	T1	MAX LIFT-OFF FORCE	WEIGHT EXCL. LOADCELL
0.5t to 5t	160	130	13	80	60	25	130	92	M12	2.5t	6.7kg
10t	188	147	17	102	72	32	146	103	M16	4.5t	13.1kg
20t to 30t	230	185	17	125	92	36	185	132	M16	4.5t	21.4kg