



**AUSTRALIA'S LARGEST  
WEIGHBRIDGE MANUFACTURER!**

**ultrahawke**

UltraHawke Pty Ltd  
ACN 004 659 358



## **FLINTEC Q50 SERIES PANCAKE LOADCELL**



### **DESCRIPTION**

The Flintec Q50 Series is a stainless steel compression disk load cell with complete hermetic sealing. It is a perfect fit for use in industrial environments and is particularly suited for use in tank and silo weighing applications in food and pharmaceutical production as a result of the clean and hygienic design.

### **HIGHLIGHTS**

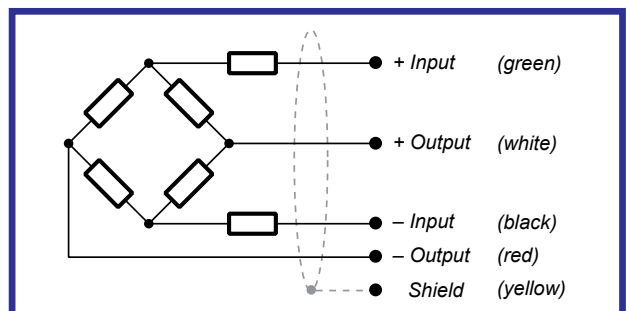
- Wide Range of Capacities from 500kg to 30t
- Stainless Steel Construction with Electro-Polished Finish
- Environmental Protection IP-68/IP-69K with Complete Laser Welded Hermetic Sealing
- Low-Profile Design
- Calibration in mV/V/Ω

### **APPLICATIONS**

- Hoppers, Tanks and Silos
- General Force Measurement Applications

### **WIRING**

- The Loadcell is Provided with a Shielded, 4-Conductor Cable (AWG 24)
- Cable Jacket: Polyurethane
- Cable Length: 5m for 500kg to 10t, 10m for 20t to 30t
- Cable Diameter: 5mm
- The Shield is Floating



## SPECIFICATIONS

Maximum Capacity	(E <sub>max</sub> )	0.5t / 1t / 2t / 5t / 10t / 20t / 30t
Rated Output	(C <sub>n</sub> )	2mV/V ± 0.1mV/V
Zero Balance		±5% of C <sub>n</sub>
Calibration in mV/V/Ω		±0.05% of C <sub>n</sub>
Creep Error (30 Minutes)	(CR)	±0.06% of C <sub>n</sub>
Minimum Dead Load Output Return	(DR)	±0.05% of C <sub>n</sub>
Combined Error		±0.25% of C <sub>n</sub>
Temperature Effect on Minimum Dead Load Output		±0.04% of C <sub>n</sub> /10°C
Temperature Effect on Sensitivity		±0.02% of C <sub>n</sub> /10°C
Excitation Voltage		5V to 15V
Input Resistance		366Ω ± 10Ω
Output Resistance		351Ω ± 2Ω
Insulation Resistance (100VDC)		≥5,000MΩ
Compensated Temperature Range		-10°C to +40°C
Operating Temperature Range		-20°C to +65°C
Safe Load Limit	(E <sub>lim</sub> )	200% of E <sub>max</sub>
Ultimate Load		300% of E <sub>max</sub>

## OTHER FEATURES

- Packed Weight: 0.5t to 5t - 1.0kg  
10t - 1.5kg  
20t to 30t - 3.2kg
- Loadcell Material: Stainless Steel 17-4 PH (1.4548)
- Environmental Protection (According to EN 60 529): IP-68 (Up to 2m Water Depth) / IP-69K

## OPTIONS

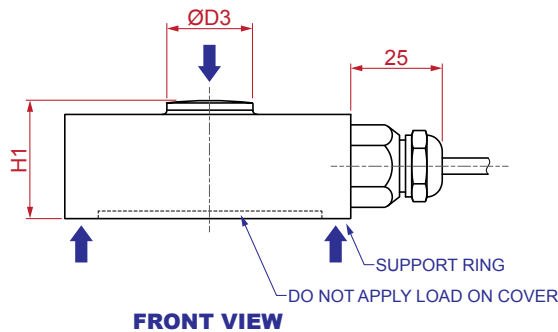
- ATEX and FM Hazardous Area Approval in Preparation

## ACCESSORIES

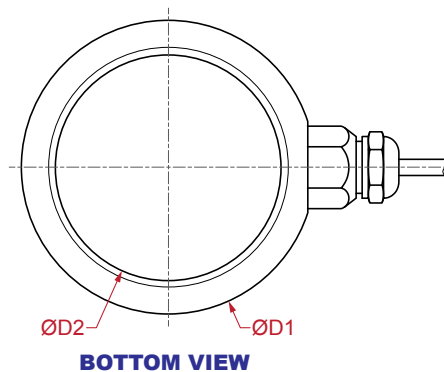
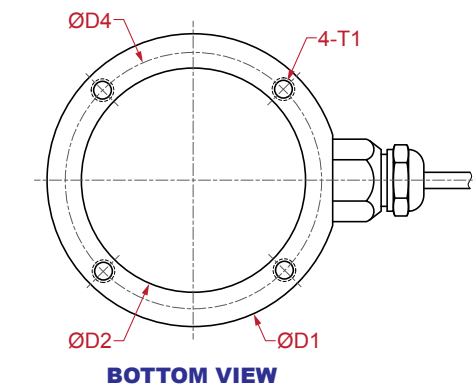
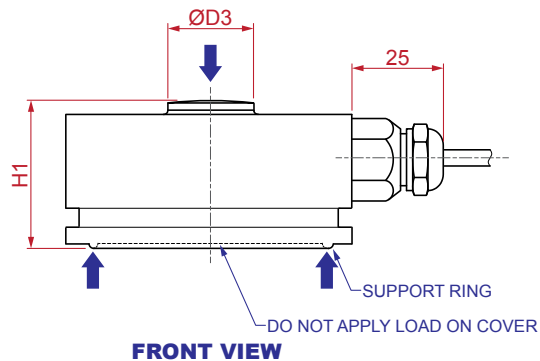
- Type 66-20 Weigh Module
- Compatible Range of Electronics Available

## DIMENSIONS

### CAPACITIES: 500kg to 5t



### CAPACITIES: 10t to 30t



E <sub>MAX</sub>	H1	D1	D2	D3	D4	T1
0.5t to 5t	32.5	80	62	16	70	M6 x 1, 8 DEEP
10t	42	95	75	29	-	-
20t to 30t	54	120	87.5	42.5	-	-

All dimensions in mm. Dimensions and specifications are subject to change without notice.